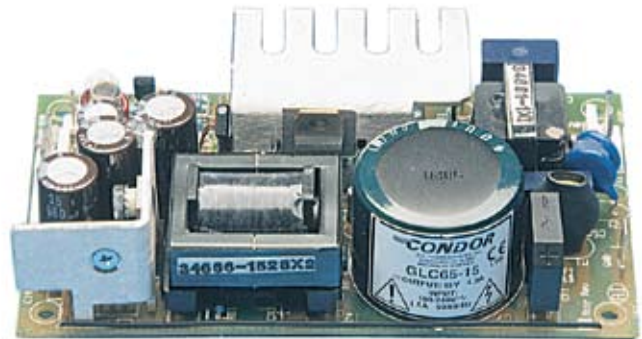


GLOBAL PERFORMANCE SWITCHERS

FEATURES:

- 4.1 W/in³
- Compact (3.0" x 5.0" x 1.06")
- Ultra-high efficiency (up to 94%) using patented technology
- Meets harmonic requirements of IEC1000-3-2, Class A
- Conducted EMI exceeds FCC Class B and CISPR 22 Class B (Commercial models) and CISPR 11 Class B (Medical models)
- 2-year warranty
- Exempt from line harmonics standard EN61000-3-2
- Commercial Approved to UL1950, IEC950, EN60950, CSA22.2 No. 950
- Medical Approved to UL2601, EN60601, CSA22.2 No. 601.1
- Multiple output versions also available
- RoHS models available (G suffix)
- CE marked to LVD

SPECIFICATIONS

Ac Input 90-264 Vac, 47-63 Hz single phase.	Inrush Current Inrush is limited by internal thermistor. The inrush at 240 Vac, averaged over the first ac half-cycle under cold start conditions will not exceed 37A.														
Input Current Maximum input current at minimum output voltage and output overload will be less than 1.7 A. Meets input current harmonic requirements of IEC1000-3-2.	EMI/EMC Compliance All models include built-in EMI filtering to meet the following emissions requirements:														
Output Power Normal continuous output power is 65 W, 75 W peak for 60 s. The 3.3 Vdc unit is 36.3 W and the 5 Vdc unit is 55 W continuous.	<table border="1"> <thead> <tr> <th>EMI SPECIFICATIONS</th> <th>COMPLIANCE LEVEL</th> </tr> </thead> <tbody> <tr> <td>Conducted Emissions GLC65</td> <td>EN55022 Class B; FCC Class B</td> </tr> <tr> <td>Conducted Emissions GLM65</td> <td>EN55011 Class B; FCC Class B</td> </tr> <tr> <td>Static Discharge</td> <td>EN61000-4-2, 6 kV contact, 8 kV air</td> </tr> <tr> <td>RF Field Susceptibility</td> <td>EN61000-4-3, 3 V/meter</td> </tr> <tr> <td>Fast Transients/Bursts</td> <td>EN61000-4-4, 2 kV, 5 kHz</td> </tr> <tr> <td>Surge Susceptibility</td> <td>EN61000-4-5, 1 kV diff., 2 kV com.</td> </tr> </tbody> </table>	EMI SPECIFICATIONS	COMPLIANCE LEVEL	Conducted Emissions GLC65	EN55022 Class B; FCC Class B	Conducted Emissions GLM65	EN55011 Class B; FCC Class B	Static Discharge	EN61000-4-2, 6 kV contact, 8 kV air	RF Field Susceptibility	EN61000-4-3, 3 V/meter	Fast Transients/Bursts	EN61000-4-4, 2 kV, 5 kHz	Surge Susceptibility	EN61000-4-5, 1 kV diff., 2 kV com.
EMI SPECIFICATIONS	COMPLIANCE LEVEL														
Conducted Emissions GLC65	EN55022 Class B; FCC Class B														
Conducted Emissions GLM65	EN55011 Class B; FCC Class B														
Static Discharge	EN61000-4-2, 6 kV contact, 8 kV air														
RF Field Susceptibility	EN61000-4-3, 3 V/meter														
Fast Transients/Bursts	EN61000-4-4, 2 kV, 5 kHz														
Surge Susceptibility	EN61000-4-5, 1 kV diff., 2 kV com.														
Hold-Up Time 20 ms from loss of ac input at 65 W load, from 120 Vac input.	Commercial Leakage Current Under normal conditions, leakage current is 425 μ A with 132 Vac @ 60 Hz input.														
Overload Protection Fully protected against short circuit and output overload. Short circuit protection is cycling type power limit.	Commercial Safety All GLC models are approved to UL1950, CSA22.2 No. 950, IEC950 and EN60950.														
Output Noise 0.5% rms, 1% pk-pk, 20 MHz bandwidth, differential mode. Measured with scope probe directly across output terminals of the power supply with load terminated with 0.1 μ F capacitor.	Medical Leakage Current The maximum leakage current under single-fault conditions (254 Vac @ 50 Hz) is 120 μ A. Under normal conditions, leakage current is 31 μ A with 132 Vac @ 60 Hz input.														
Transient Response Main output: 500 μ s typical response time for return to within 0.5% of final value for a 50% load step within the regulation limits of minimum and maximum load, $\Delta i/\Delta t < 0.2$ A/ μ s. Maximum voltage deviation is 3.5%. Startup/shut-down overshoot less than 3%.	Medical Safety All GLM models are approved to UL2601, CSA22.2 No. 601, IEC601-1 and EN60601. Consult factory for approval status.														
Voltage Adjustment Adjustable potentiometer capable of $\pm 5\%$ change from nominal setting.	Temperature Coefficient: 0.03% $^{\circ}$ C typical on all outputs.														
Efficiency 82 to 94% minimum at full rated load, nominal input voltage, depending on model.	Remote Sense Provided as standard feature on all models. Includes open sense protection.														
Minimum Load No minimum load required.															

Commercial Model	Medical Model	Output	Current	Total Regulation	V1 Adjustment	V1 OVP Setpoint	Ripple and Noise
GLC65-5	GLM65-5	5.1 V	9/11 A *	2%	±5%	6.2 ± 0.6 V	1%
GLC65-12	GLM65-12	12 V	5.5 A	2%	±5%	14 ± 1.1 V	1%
GLC65-15	GLM65-15	15 V	4.3 A	2%	±5%	18.5 ± 1.5 V	1%
GLC65-18	GLM65-18	18 V	3.6 A	2%	±5%	21.7 ± 2.0 V	1%
GLC65-20	GLM65-20	20V	3.25 A	2%	±5%	24.5 ± 2.2 V	1%
GLC65-24	GLM65-24	24 V	2.7 A	2%	±5%	28 ± 2.5 V	1%
GLC65-28	GLM65-28	28 V	2.3 A	2%	±5%	34 ± 2.8 V	1%
GLC65-48	GLM65-48	48 V	1.35 A	2%	±5%	55 ± 4.0 V	1%

• **Note:**

* 9 A convection, 11 A with fan cooling

GLC65/GLM65 - SINGLE OUTPUT - MECHANICAL SPECIFICATIONS

INPUT J1:
AMP P/N 640445-3, .156 [3.96mm] CTR,
0.045 [1.14mm] SQUARE PIN HEADER

PIN 3) AC NEUTRAL
PIN 2) NO PIN
PIN 1) AC LINE

OUTPUT J2:
AMP P/N 640445-6, .156 [3.96mm] CTR,
0.045 [1.14mm] SQUARE PIN HEADER

PIN 1-3) OUTPUT
PIN 4-6) COMMON
GND: 0.250" FASTON TAB

SENSE J3:
AMP P/N 640456-2, .100 [2.54mm] CTR,
0.025 [0.64mm] SQUARE PIN HEADER

PIN 1) +SENSE
PIN 2) -SENSE

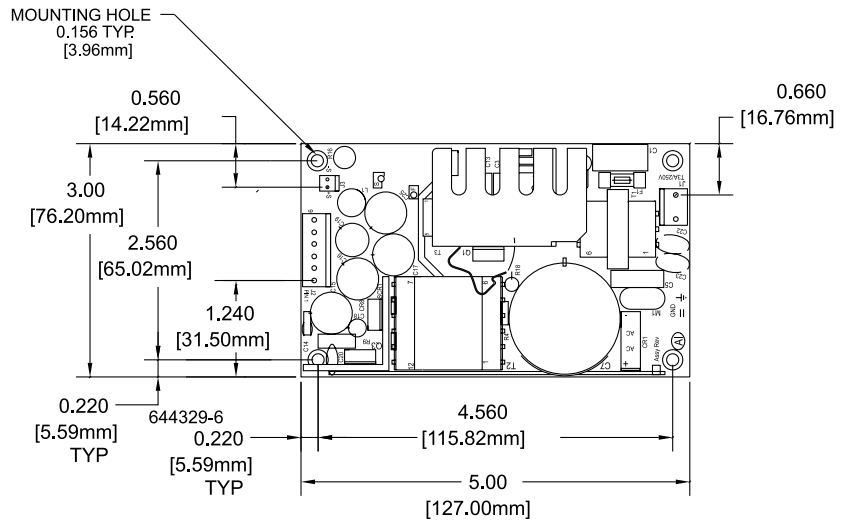
MATING CONNECTORS: AMP P/N

	HOUSING	CONTACTS
INPUT	640250-3	770476-1
OUTPUT	640250-6	770476-1
SENSE	640440-2	770476-1

NOTE: 5A MAXIMUM RECOMMENDED CURRENT
PER CONNECTOR PIN

WEIGHT: 5 OZ.
[0.142 KG]

TOLERANCES:
X.XX = ± 0.030 (0.76MM)
X.XXX = ± 0.010 (0.25MM)



MAX. COMPONENT HEIGHT 1.20" [30.28mm]
MAX. LEAD PROTRUSION 0.10" [2.54mm]

ENVIRONMENTAL SPECIFICATIONS	OPERATING	NON-OPERATING
Temperature (A)	0 to 50°	-40 to +85°C
Humidity (A)	0 to 95% RH	0 to 95% RH
Shock (B)	20 g _{pk}	40 g _{pk}
Altitude	-500 to 10,000 ft	-500 to 40,000 ft
Vibration (C)	1.5 g _{rms} 0.003 g ² /Hz	5 g _{rms} 0.026 g ² /Hz

A. Units should be allowed to warm up/operate under non-condensing conditions before application of power. Derate output current and total output power by 2.5% per °C above 50°C.

B. Shock testing—half-sinusoidal, 10 ± 3 ms duration, ± direction, 3 orthogonal axes, total 6 shocks.

C. Random vibration—10 to 2000Hz, 6dB/octave roll-off from 350 to 2000Hz, 3 orthogonal axes. Tested for 10 min./axis operating and 1hr./axis non-operating.

SL Power Electronics Corp., 6050 King Drive, Bldg. A, Ventura, CA 93003, USA. Phone:(805) 486 4565 Fax:(805) 487 8911 www.slpower.com Rev. 01/07.

Data Sheet © 2007 SL Power Electronics, Inc. The information and specifications contained in this data sheet are believed to be correct at time of publication.

However, SL Power accepts no responsibility for consequences arising from reproduction errors or inaccuracies. Specifications are subject to change without notice.